

CONSTRUCTION PLANS FOR

# TYLER HEART BELL (LELLA MEMORIAL)

TYLER, TEXAS 75703

SMITH COUNTY

3/5/2024

PREPARED FOR

**CITY OF TYLER**

1718 W. Houston Street

Tyler, Texas 75702

Phone: 903.531.1370

MAYOR

**DONALD P. WARREN**

CITY MANAGER

**EDWARD BROUSSARD**

CITY COUNCIL

**STUART HENE**

**BRODERICK MCGEE**

**SHIRLEY MCKELLAR**

**JAMES WYNNE**

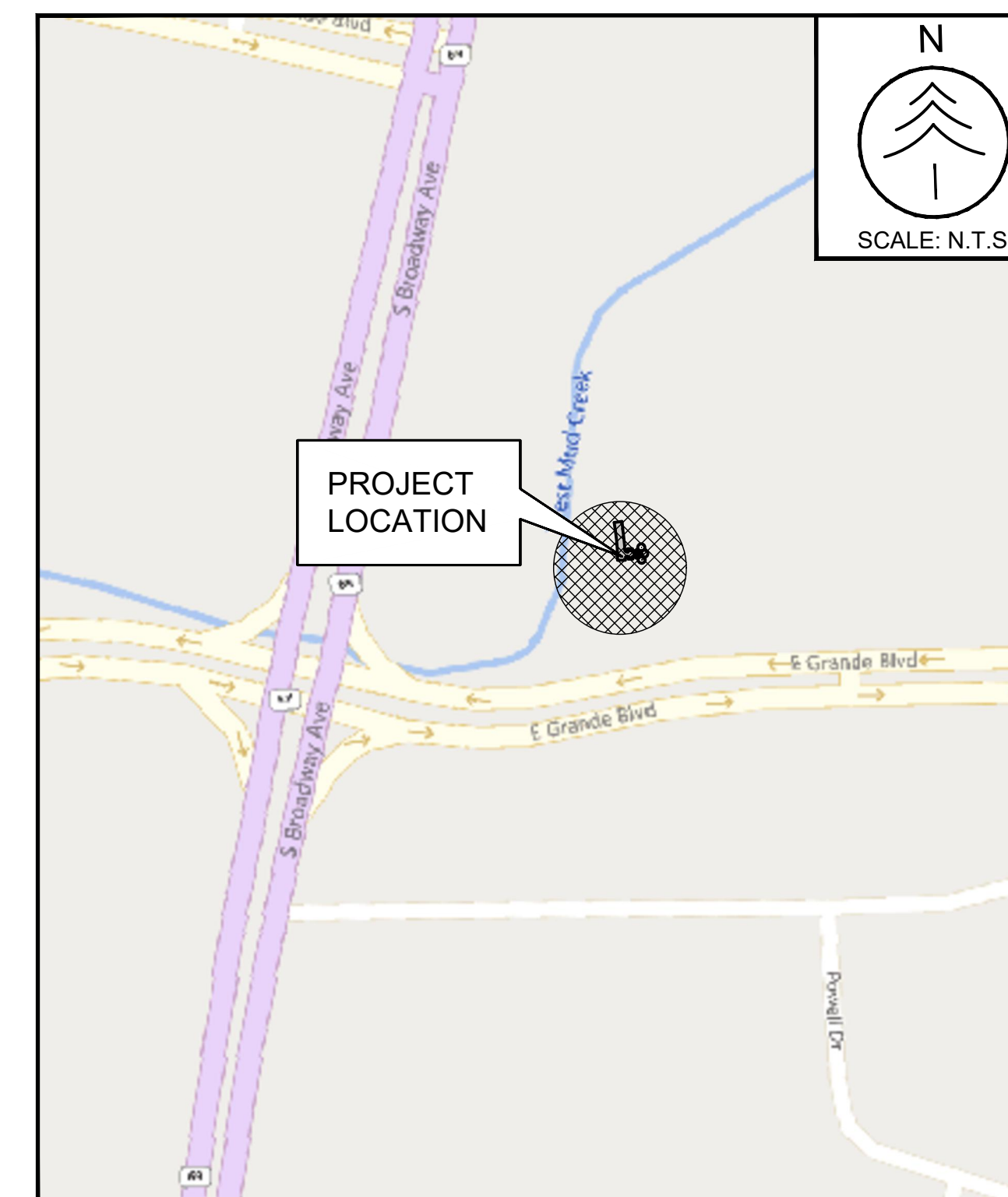
**LLOYD NICHOLS**

**BRAD CURTIS**

DIRECTOR OF PARKS & RECREATION

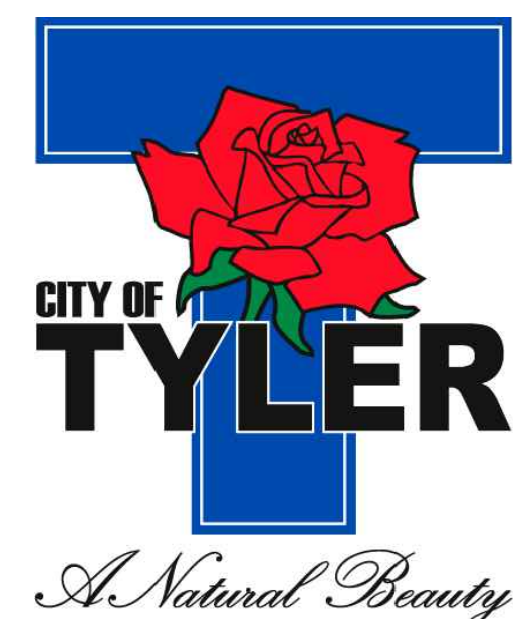
**LEANNE ROBINETTE**

VICINITY MAP



SHEET INDEX

NUMBER	TITLE
GN-1	GENERAL NOTES
SL-1	SITE LAYOUT
SP-1	SITE PREPARATION PLAN
G-1	GRADING PLAN
L-1	LANDSCAPE PLAN
CD-1	CONSTRUCTION DETAILS I
CD-2	CONSTRUCTION DETAILS II



GENERAL CONSTRUCTION NOTES:

1. ALL EXISTING UTILITIES MAY NOT BE SHOWN AND THE ACTUAL UTILITY LOCATIONS MAY VARY FROM THE LOCATIONS SHOWN ON THESE PLANS. THE CONTRACTOR IS RESPONSIBLE FOR VERIFYING ALL UTILITIES AND NOTIFYING THE APPROPRIATE UTILITY COMPANY PRIOR TO BEGINNING CONSTRUCTION.
2. THE CONTRACTOR SHALL NOTIFY THE CONSULTANT IMMEDIATELY, IN WRITING, OF ANY DISCREPANCIES OR OMISSIONS TO THE TOPOGRAPHIC INFORMATION. THE CONTRACTOR(S) SHALL BE RESPONSIBLE FOR CONFIRMING THE LOCATION (HORIZONTAL/VERTICAL) OF ANY BURIED CABLES, CONDUITS, PIPES, AND STRUCTURES (STORM SEWER, SANITARY SEWER, WATER, GAS, TELEVISION, TELEPHONE, ETC.) WHICH IMPACT THE CONSTRUCTION SITE. THE CONTRACTOR(S) SHALL NOTIFY THE OWNER AND ENGINEER IF ANY DISCREPANCIES ARE FOUND BETWEEN THE ACTUAL CONDITIONS VERSUS THE DATA CONTAINED IN THE CONSTRUCTION PLANS. ANY COSTS INCURRED AS THE RESULT OF NOT CONFIRMING THE ACTUAL LOCATION (HORIZONTAL/VERTICAL) OF SAID CABLES, CONDUITS, PIPES, AND STRUCTURES SHALL BE BORNE BY THE CONTRACTOR. ADDITIONALLY, THE CONTRACTOR(S) SHALL NOTIFY THE OWNER AND ENGINEER IF ANY ERRORS OR DISCREPANCIES ARE FOUND ON THE CONSTRUCTION DOCUMENTS (PS&E), WHICH NEGATIVELY IMPACT THE PROJECT. THE ENGINEER AND OWNER SHALL BE INDEMNIFIED OF PROBLEMS AND/OR COST WHICH MAY RESULT FROM CONTRACTOR'S FAILURE TO NOTIFY ENGINEER AND OWNER.
3. CONTRACTOR IS RESPONSIBLE FOR REPAIRS OF DAMAGE TO ANY EXISTING IMPROVEMENTS DURING CONSTRUCTION, SUCH AS, BUT NOT LIMITED TO, DRAINAGE, PAVEMENT, STRIPING, CURB, SIDEWALKS, DRIVEWAYS, FENCES, ETC. REPAIRS SHALL BE EQUAL TO OR BETTER THAN EXISTING CONDITIONS. DAMAGE TO ANY UTILITY SHALL BE REPAIRED BY THE UTILITY OWNER BUT AT CONTRACTOR'S EXPENSE.
4. CONTRACTOR SHALL COMPLY TO THE FULLEST EXTENT WITH THE LATEST STANDARDS OF OSHA DIRECTIVES OR ANY OTHER AGENCY HAVING JURISDICTION FOR EXCAVATION AND TRENCHING PROCEDURE. CONTRACTOR SHALL USE SUPPORT SYSTEMS, SLOPING, BENCHING, AND OTHER MEANS OF PROTECTION. THIS IS TO INCLUDE, BUT NOT LIMITED TO, ACCESS AND EGRESS FROM ALL EXCAVATION AND TRENCHING. CONTRACTOR IS RESPONSIBLE TO COMPLY WITH PERFORMANCE CRITERIA FOR OSHA.
5. ALL WORK ON THESE PLANS SHALL BE DONE IN STRICT ACCORDANCE WITH THE SPECIFICATIONS.
6. DURING CONSTRUCTION OF THESE IMPROVEMENTS, ANY DEVIATION FROM THESE SPECIFICATIONS WILL REQUIRE APPROVAL IN WRITING FROM THE OWNER AND HIS DESIGNEE BEFORE ANY CONSTRUCTION INVOLVING THAT DECISION COMMENCES.
7. CONSTRUCTION SHALL COMPLY WITH ALL GOVERNING CODES AND REQUIREMENTS. CONTRACTOR SHALL CONDUCT ALL REQUIRED TESTS TO THE SATISFACTION OF THE UTILITY COMPANIES AND OWNER'S INSPECTING AUTHORITIES.
8. THE CONTRACTOR SHALL ASSUME RESPONSIBILITY FOR THE PROTECTION OF ALL PROPERTY CORNER MONUMENTS, AND SHALL HAVE REPLACED, AT CONTRACTOR'S EXPENSE, ALL CORNER MONUMENTS WHICH ARE DISTURBED BY CONSTRUCTION ACTIVITIES.

EROSION CONTROL NOTES:

1. EROSION CONTROL MEASURES SHALL BE REQUIRED DURING ALL PHASES OF CONSTRUCTION AND MAINTAINED TO FULLY FUNCTION UNTIL NO LONGER REQUIRED FOR A COMPLETED PHASE OF WORK OR FINAL STABILIZATION OF THE SITE. ADDITIONAL EROSION CONTROL MEASURES MAY BE REQUIRED THAN WHAT IS SHOWN ON THE PLANS.
2. THE CONTRACTOR IS RESPONSIBLE FOR PREPARING AND IMPLEMENTING A STORMWATER POLLUTION PREVENTION PLAN IN ACCORDANCE WITH THE TPDES.
3. CONTRACT SHALL PLACE STABILIZATION FABRIC ON ALL SLOPES STEEPER THAN 3H:1V. CONTRACTOR SHALL PLACE FOUR (4) INCHES OF TOPSOIL (LOOSE) ON ALL UNSURFACED AREAS DISTURBED BY GRADING OPERATIONS UNLESS OTHERWISE NOTED ON LANDSCAPE PLANS. SEED OR SOD ALL DISTURBED AREAS IN ACCORDANCE WITH THE SPECIFICATIONS AND MAINTAIN SAME UNTIL A HEALTHY STAND OF GRASS IS OBTAINED. THE SPECIFIC PLANT MATERIALS PROPOSED TO PROTECT FILL AND EXCAVATED SLOPES SHALL BE SUITABLE FOR USE UNDER LOCAL CLIMATE AND SOIL CONDITIONS. IN GENERAL, HYDROSEEDING OR SODDING BERMUDA GRASS IS ACCEPTABLE DURING THE SUMMER MONTHS (MAY 1ST TO AUGUST 31ST). WINTER RYE OR FESCUE GRASS MAY BE PLANTED DURING TIMES OTHER THAN THE SUMMER MONTHS AS A TEMPORARY MEASURE UNTIL SUCH TIME AS THE PERMANENT PLANTING CAN BE MADE.
4. AS INLETS ARE COMPLETED, TEMPORARY SEDIMENT BARRIERS SHALL BE INSTALLED.
5. AT COMPLETION OF THE PAVING AND FINAL GRADING, THE DISTURBED AREA(S) SHALL BE REVEGETATED IN ACCORDANCE WITH THE PLANS.
6. SILT FENCE AND INLET SEDIMENT BARRIERS SHALL REMAIN IN PLACE UNTIL REVEGETATION HAS BEEN COMPLETED.
7. DISTURBED AREAS THAT ARE SEEDED OR SODDED SHALL BE CHECKED PERIODICALLY TO SEE THAT GRASS COVERAGE IS PROPERLY MAINTAINED. DISTURBED AREAS SHALL BE WATERED, FERTILIZED, AND RE-SEEDED OR RE-SODDED, IF NECESSARY.
8. THERE IS TO BE ONE CONCRETE WASH-OUT PIT LOCATED ON THE SITE. THE LOCATION OF THIS WASH-OUT PIT IS TO BE DETERMINED BY THE CONTRACTOR AND APPROVED BY THE ENGINEER. IT WILL BE THE RESPONSIBILITY OF THE CONTRACTOR TO PROPERLY DISPOSE OF ALL EXCESS CONCRETE MATERIAL.
9. LOCATION OF CONSTRUCTION EXITS SHALL BE PLACED IN THE FIELD AND APPROVED BY THE ENGINEER.
10. THE CONTRACTOR WILL BE REQUIRED TO FILE A NOTICE OF INTENT (NOI) PRIOR TO COMMENCEMENT OF CONSTRUCTION AND MONITOR SITE EROSION THROUGHOUT THE CONSTRUCTION PROCESS. ONCE THE PROJECT IS COMPLETED, THE CONTRACTOR SHALL FILE THE REQUIRED NOTICE OF TERMINATION (NOT) WITH THE EPA.
11. ALL WASTE MANAGEMENT PRACTICES (EXISTING HAZARDOUS WASTE, SOLID WASTE, CONCRETE WASTE, ETC.) SHALL COMPLY WITH TCEQ REQUIREMENTS.

DEMOLITION NOTES:

1. NO EARTH-DISTURBING ACTIVITIES SHALL COMMENCE UNTIL ALL PERIMETER EROSION CONTROL MEASURES ARE IN PLACE IN ACCORDANCE WITH THE STORM WATER POLLUTION PREVENTION PLAN SITE MAP OR EROSION CONTROL PLAN AND THE SPECIFICATIONS.
2. CONTRACTOR SHALL COMPLY TO THE FULLEST EXTENT WITH ALL REGULATIONS GOVERNING THE DEMOLITION, REMOVAL, TRANSPORTATION, AND DISPOSAL OF ALL DEMOLITION DEBRIS.
3. THE CONTRACTOR SHALL COMPLY WITH ALL OSHA REQUIREMENTS FOR DEMOLITION OF STRUCTURES.
4. NOTES SHOWN HEREON REGARDING SPECIFIC ITEMS OF DEMOLITION ARE GENERAL IN NATURE, AND ARE NOT INTENDED TO BE WHOLLY INCLUSIVE.
5. THE CONTRACTOR SHALL BE RESPONSIBLE FOR VISITING THE SITE AND DETERMINING THE EXTENT OF EXISTING IMPROVEMENTS TO BE REMOVED FROM THE SITE.
6. THE CONTRACTOR SHALL BE RESPONSIBLE FOR COORDINATING WITH THE APPROPRIATE UTILITY COMPANIES ON THE DISCONNECTION OR TERMINATION OF ANY UTILITIES SERVING THIS AREA.
7. ALL FENCING AND OTHER MAN-MADE ELEMENTS, ETC., WITHIN CONSTRUCTION AREA, UNLESS OTHERWISE IDENTIFIED, SHALL BE REMOVED AND DISPOSED OF OFF SITE.
8. REMOVAL OF ANY TREES OTHER THAN THOSE SPECIFIED IN THESE PLANS SHALL BE COORDINATED WITH THE OWNER. THIS REMOVAL SHALL INCLUDE THE ROOT BALL OF THE TREES.
9. THE CONTRACTOR SHALL BE RESPONSIBLE FOR OBTAINING ANY REQUIRED DEMOLITION PERMITS.
10. REFER TO THE SPECIFICATIONS FOR ADDITIONAL INFORMATION REGARDING DEMOLITION, SITE PREPARATION AND EARTHWORK FOR THIS PROJECT.

PAVING / DRAINAGE NOTES:

1. NO EARTH-DISTURBING ACTIVITIES SHALL COMMENCE UNTIL ALL PERMITS HAVE BEEN OBTAINED AND PERIMETER EROSION CONTROL MEASURES HAVE BEEN INSTALLED. THE CONTRACTOR SHALL ADHERE TO ALL TERMS & CONDITIONS AS OUTLINED IN THE GENERAL T.P.D.E.S. PERMIT FOR STORM WATER DISCHARGES ASSOCIATED WITH CONSTRUCTION ACTIVITY.
2. CONTRACTOR SHALL NOTIFY ALL UTILITY COMPANIES HAVING UNDERGROUND UTILITIES ON SITE OR IN RIGHT-OF-WAY PRIOR TO EXCAVATION. CONTRACTOR SHALL CONTACT UTILITY LOCATING COMPANY AND LOCATE ALL UTILITIES PRIOR TO GRADING START.
3. CONTRACTOR SHALL VERIFY HORIZONTAL AND VERTICAL LOCATION OF ALL EXISTING STORM SEWER STRUCTURES, PIPES, AND ALL UTILITIES PRIOR TO CONSTRUCTION.
4. ALL PIPES ENTERING STORM SEWER STRUCTURES SHALL BE GROUTED WITH NON-SHRINK GROUT TO ASSURE A WATER-TIGHT FIT.
5. ALL DRAINAGE STRUCTURES AND STORM SEWER PIPES LOCATED IN PAVED OR OTHER VEHICULAR AREAS SHALL MEET HEAVY DUTY TRAFFIC (H20) LOADING AND BE INSTALLED ACCORDINGLY.
6. ACCESSIBLE ROUTES SHALL HAVE A RUNNING SLOPE OF MAX. 5.0% AND CROSS SLOPE OF MAX. 2.0%, PER T&S REQUIREMENTS.
7. RIPRAP GRADATION SHALL BE IN ACCORDANCE WITH THE SITEWORK SPECIFICATIONS & DETAILS.
8. IF THE CONTRACTOR RELOCATES BENCHMARK WITH A NEW BENCHMARK, IT SHALL BE LOCATED WITHIN A TOLERANCE OF 0.010 FEET.
9. CONTRACTOR SHALL MATCH EXISTING PAVEMENT IN GRADE AND ALIGNMENT, WHERE APPLICABLE.
10. CONTRACTOR SHALL MATCH EXISTING CURB AND GUTTER IN GRADE, SIZE, TYPE AND ALIGNMENT AT ADJACENT ROADWAYS.
11. ADJUST PAVEMENT AND/OR CURB ELEVATIONS AS NECESSARY TO ASSURE A SMOOTH FIT AND CONTINUOUS GRADE WITH EXISTING, WHERE APPLICABLE.
12. DRAINAGE SHALL BE MAINTAINED AWAY FROM FOUNDATIONS, BOTH DURING AND AFTER CONSTRUCTION.
13. ALL PROPOSED CONTOURS AND SPOT GRADES ARE FOR THE FINISHED SURFACE. CONTRACTOR SHALL ADJUST ROUGH GRADING AS NEEDED TO ACCOUNT FOR IMPORT MATERIALS.
14. ALL PAVING AND DRAINAGE IMPROVEMENTS SHALL BE DESIGNED AND CONSTRUCTED IN ACCORDANCE WITH CITY STANDARD SPECIFICATIONS. WHERE ANY QUESTIONS ARISE AS TO THE INTERPRETATION OF THE STANDARDS OF DESIGN, PLEASE CONTACT THE CONSULTANT.

LANDSCAPE NOTES:

1. ALL IMPROVEMENTS SHALL BE IN ACCORDANCE WITH THE CITY SPECIFICATIONS AND ORDINANCES.
2. THE CONTRACTOR IS REQUIRED TO GRASS ALL AREAS DISTURBED BY CONSTRUCTION.
3. AT COMPLETION OF THE PAVING AND FINAL GRADING, THE DISTURBED AREA(S) SHALL BE REVEGETATED IN ACCORDANCE WITH THE PLANS.
4. ALL PROPOSED PLANTS SHALL BE STAKED ON THE GROUND AND APPROVED BY CONSULTANT BEFORE BEING PLANTED.
5. ALL PLANTING BEDS SHALL HAVE 4 INCH DEEP HARDWOOD MULCH.
6. EXCEPT AS OTHERWISE PROVIDED, THE CONTRACTOR SHALL PROCURE ALL PERMITS AND LICENSES, PAY ALL CHARGES AND FEES AND GIVE ALL NOTICES NECESSARY & INCIDENTAL TO THE DUE LAWFUL PROSECUTION OF THE WORK.
7. CONTRACTOR SHALL NOTIFY PERTINENT UTILITY COMPANIES 48 HOURS PRIOR TO CONSTRUCTION FOR CURRENT UTILITY LOCATIONS. EXTREME CARE SHALL BE EXERCISED IN EXCAVATING AND WORKING NEAR EXISTING UTILITIES. CONTRACTOR SHALL VERIFY THE LOCATION & CONDITION OF ALL UTILITIES AND BE RESPONSIBLE FOR DAMAGE TO ANY UTILITIES.
8. THE CONTRACTOR SHALL AT ALL TIMES PROTECT HIS WORK FROM DAMAGE & THEFT & REPLACE ALL DAMAGED OR STOLEN PARTS UNTIL THE WORK IS ACCEPTED IN WRITING BY OWNER.



12222 Merit Dr, Dallas, TX 75251  
 214.845.7008  
 212 W. 9th St, Tyler, TX 75701  
 903.597.6606  
 TBPE #14571



THE SEAL APPEARING ON THIS DOCUMENT  
 WAS AUTHORIZED BY DAVID B. SHIPP,  
 FLA #1211 ON MARCH 5, 2023.

**LELLA MEMORIAL**  
 Tyler, Texas 75703

Drawn: JHD  
 Checked: DBS

Revision History

NO.	DESCRIPTION

Job Number: 23-053  
 Date: 3/5/2024

GENERAL NOTES

**GN-1**



1222 D. NAME DE FONDS / 01/29/2019 295912  
 BRASS W/184/B/008  
 212 W. 9th St. Tyler, TX 75701  
 903.597.6606  
 TBPE #14571



THE SEAL APPEARING ON THIS DOCUMENT  
 WAS AUTHORIZED BY DAVID B. SHIPP,  
 PLA #2121 ON MARCH 5, 2023.

# LELLA MEMORIAL

Tyler, Texas 75703

### LEGEND

- EXISTING CONCRETE
- 5" CONCRETE SIDEWALK  
(± 640 SF)

### EQUIPMENT SUMMARY:

- 1 KRAFTMAN  
PAVILION - # TS-HEX08-04-TG
- 1 KAY PARK  
DUCTILE IRON PARK CHAIR - # IVPC
- 1 KAY PARK  
DUCTILE IRON PARK BENCH - # IVB
- 1 LEON'S SIGNS  
12"X18" CAST BRONZE MEMORIAL SIGN
- 1 BRASSBELL

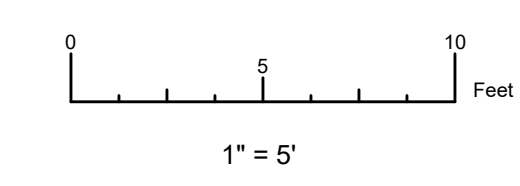
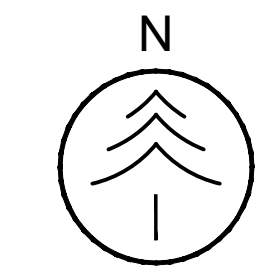
### CONTACTS:

KRAFTSMAN - RYAN SLOTT  
 214.282.9580

KAY PARK  
 800.553.2476

LEON SIGNS  
 903.597.7731

BRASS BELL  
 919.285.0930



I:\city of tyler\23-053 memorial pavilion (cityof Tyler)\CAD\03 - production\SITE LAYOUT.dwg



Know what's below.  
 Call before you dig.

Drawn: JHD  
 Checked: DBS

Revision History	

Job Number: 23-053  
 Date: 3/5/2024

SITE LAYOUT  
**SL-1**

# LELLA MEMORIAL

Tyler, Texas 75703

Drawn: JHD  
Checked: DBS

Revision History	

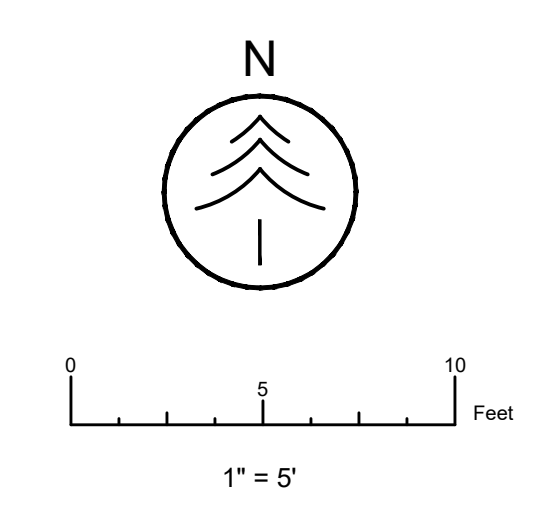
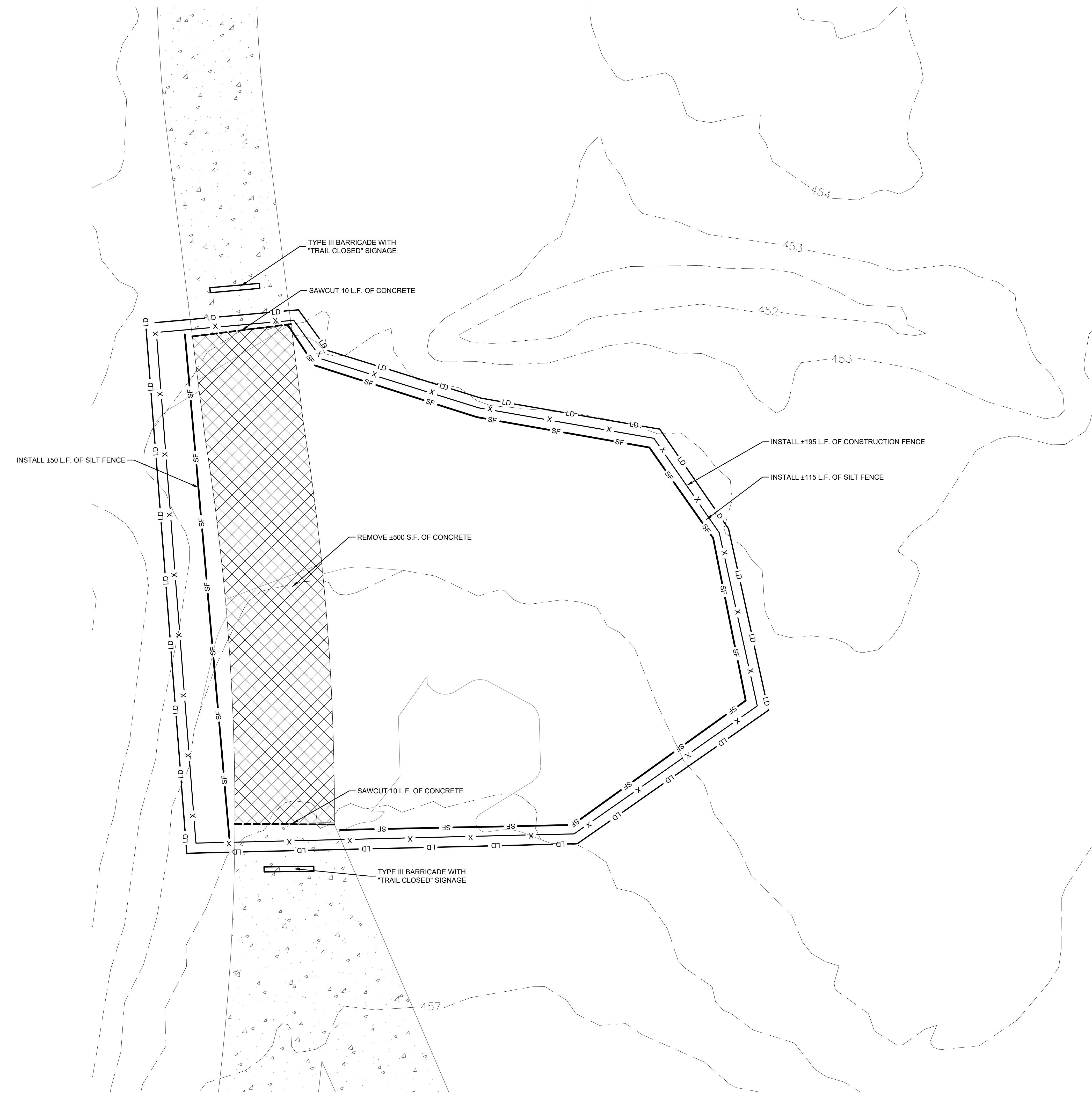
Job Number: 23-053  
Date: 3/5/2024

## SITE PREPARATION PLAN

# SP-1

- LEGEND**
- 500 — EXISTING CONTOUR
  - - - SAWCUT LINE
  - ▨ TO BE REMOVED
  - LD — LIMITS OF DISTURBANCE
  - SF — SILT FENCE
  - X — CONSTRUCTION FENCE

- NOTES:**
- ALL SLOPES 4:1 OR STEEPER SHALL HAVE EROSION CONTROL MATTING.
  - CONTRACTOR SHALL SEED AND ESTABLISH VEGETATION FOR ALL DISTURBED AREAS.
  - EROSION CONTROL MEASURES SHALL BE REQUIRED THROUGHOUT CONSTRUCTION AND MAINTAINED TO FULLY FUNCTION UNTIL NO LONGER REQUIRED FOR FINAL STABILIZATION OF THE SITE. ADDITIONAL EROSION CONTROL MEASURES MAY BE REQUIRED THAN WHAT IS SHOWN ON THE PLANS.
  - CONTRACTOR SHALL DAILY MONITOR ACCESS POINTS TO THE SITE FROM PUBLIC ROADWAYS AND SHALL INSTALL A CONSTRUCTION EXIT AT LOCATION(S) SELECTED BY THE CONTRACTOR TO PREVENT OR MINIMIZE OFF-SITE TRACKING OF SEDIMENT FROM THE CONSTRUCTION SITE.
  - CONTRACTOR TO DETERMINE LOCATION CONSTRUCTION ENTRY/EXIT, TEMPORARY GATE, AND MATERIAL STORAGE AREAS WITH CITY.
  - SWPPP PERMITTING IS NOT REQUIRED SINCE THE LIMITS OF DISTURBANCE FOR THIS PROJECT ARE UNDER 1 ACRE.



I:\city of tyler\23-053 memorial pavilion (cityof Tyler)\CAD\03 - production\SITE PREPARATION PLAN.dwg



**LELLA MEMORIAL**  
Tyler, Texas 75703

Drawn: JHD  
Checked: DBS

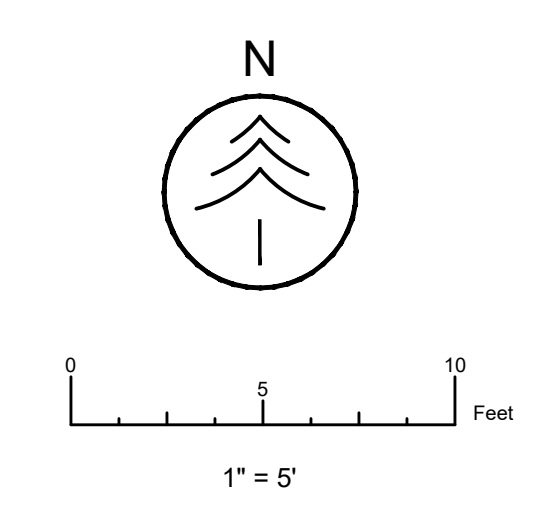
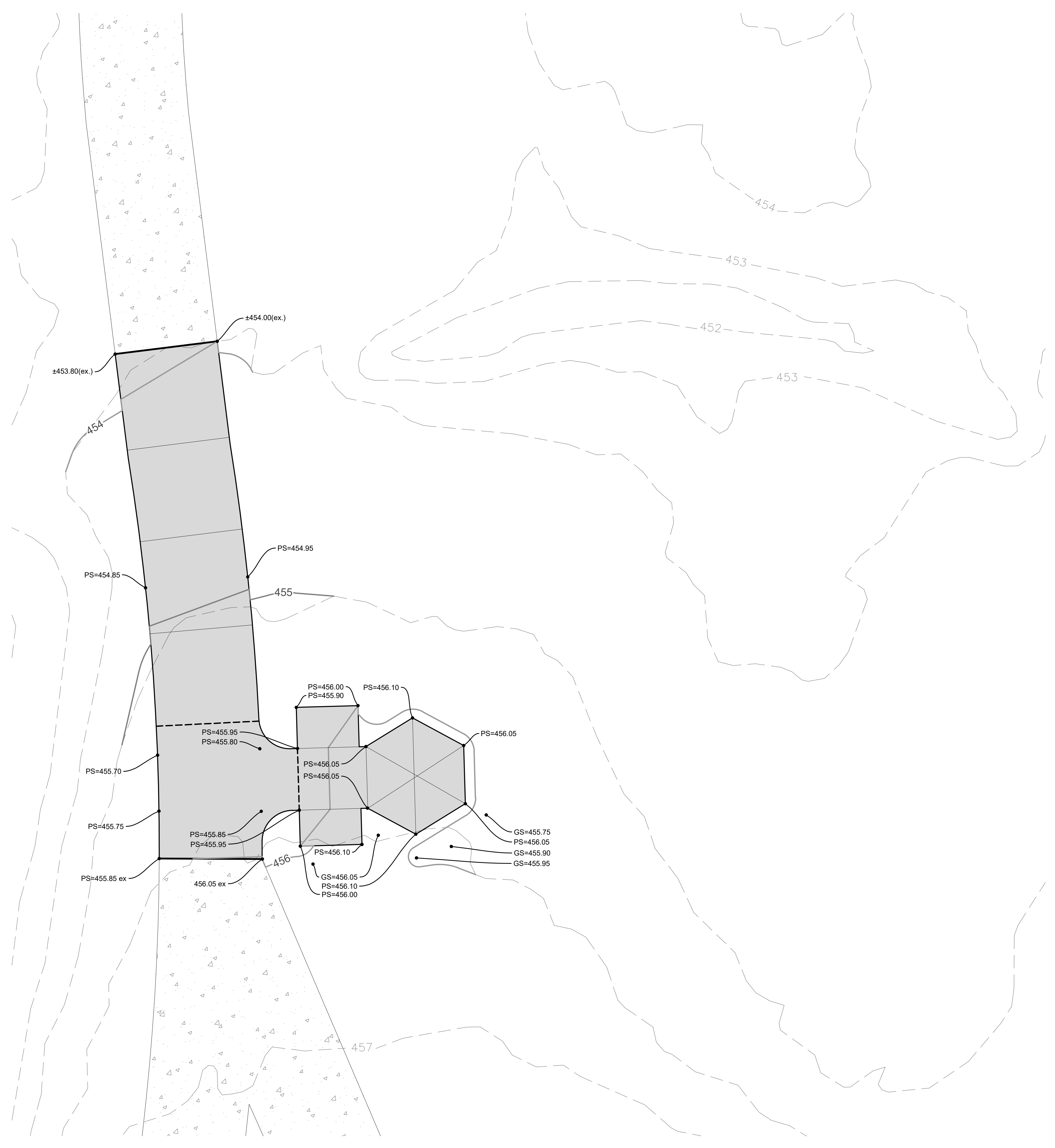
Revision History	

Job Number: 23-053  
Date: 3/5/2024

**GRADING & JOINT PLAN**

**G-1**

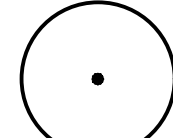
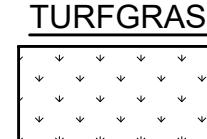
- LEGEND**
- EXPANSION JOINT
  - SAW-CUT JOINT
  - LONGITUDINAL BUTT JOINT
  - [Patterned Box] EXISTING CONCRETE
  - [Solid Grey Box] 5" CONCRETE PAVEMENT
  - - -500- - - EXISTING CONTOUR
  - - -500- - - PROPOSED CONTOUR
  - ±528.20(ex.) EXISTING SPOT ELEVATION
  - PS=525.80 PAVEMENT SURFACE
  - GS=525.80 GROUND SURFACE

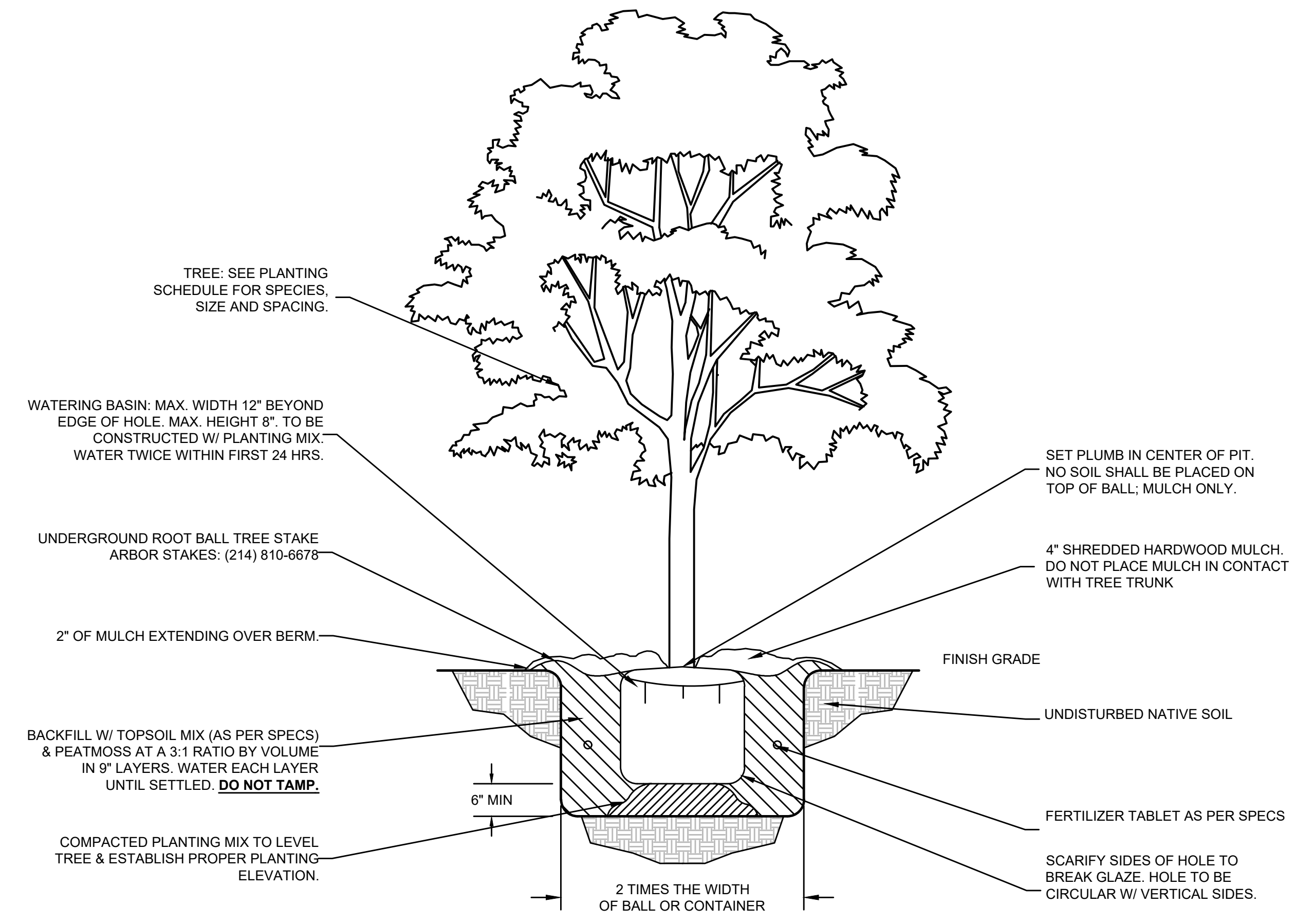
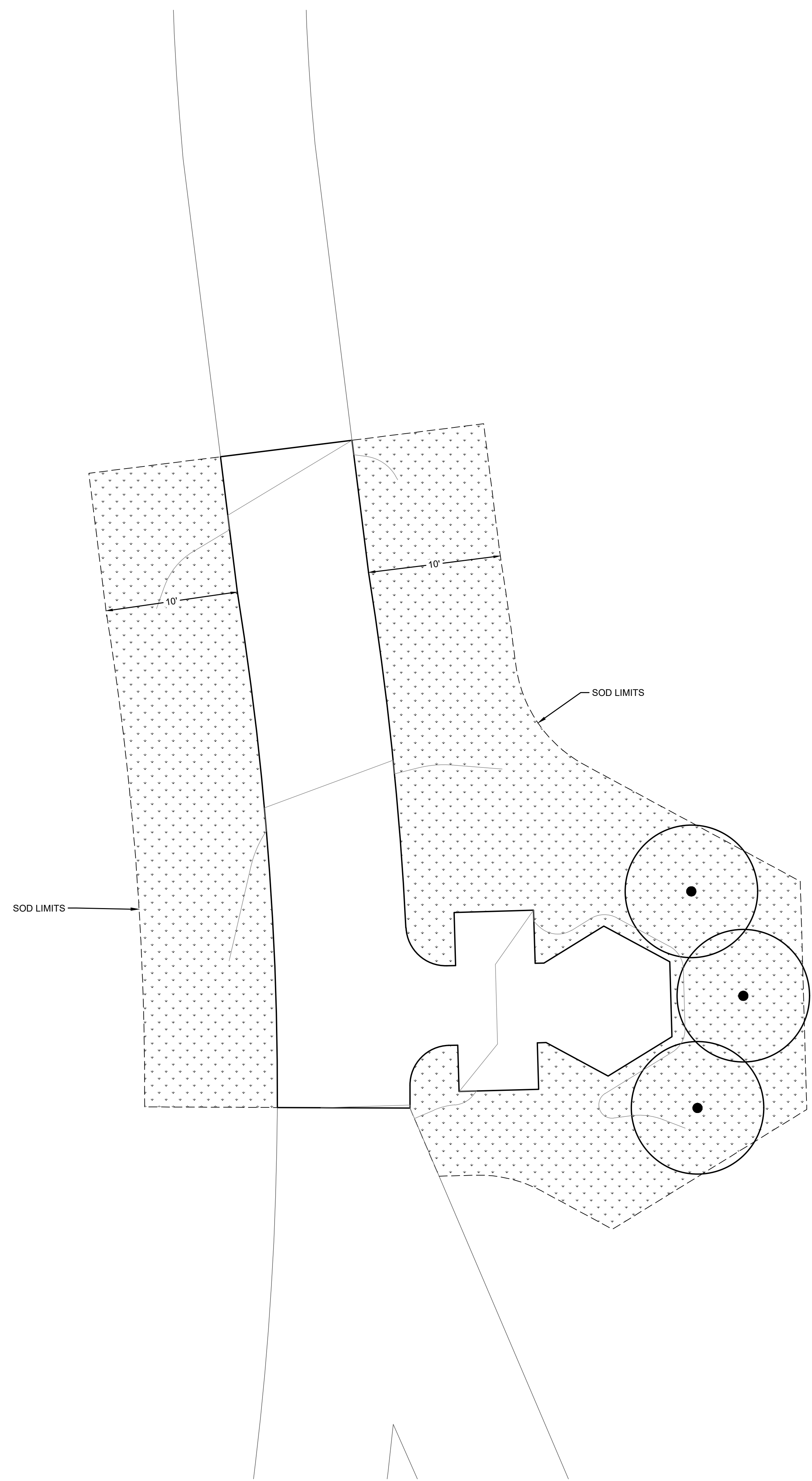


I:\city of tyler\23-053 memorial pavilion (cityof Tyler)\CAD\03 - production\GRADING PLAN.dwg

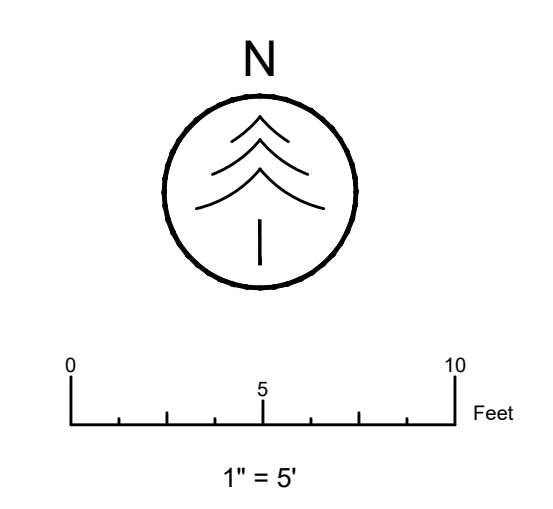


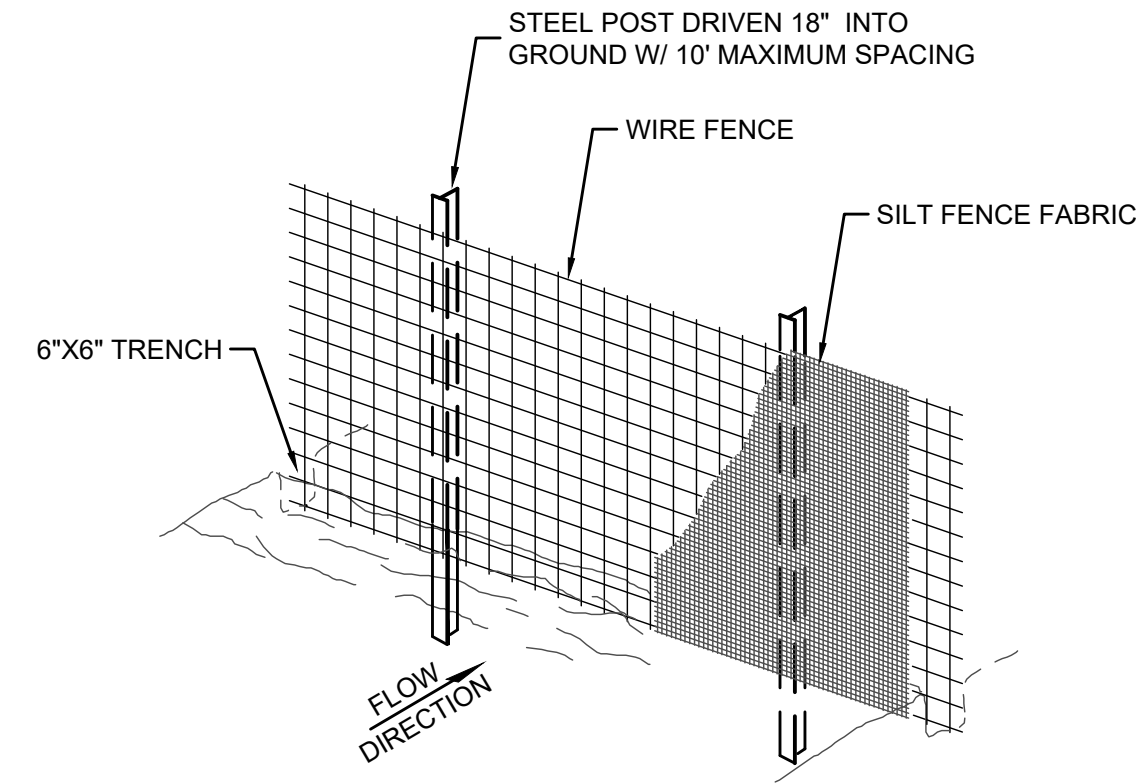
**PLANT SCHEDULE**

SYMBOL	BOTANICAL / COMMON NAME	CONT	QTY
<b>ORNAMENTAL TREES</b>			
	Cercis canadensis / Eastern Redbud	15 gal.	3
<b>TURFGRASS</b>			
	Cynodon dactylon / Bermudagrass	Sod	1,419 sf



**TREE PLANTING DETAIL**  
N.T.S.





STEPS FOR CONSTRUCTION:

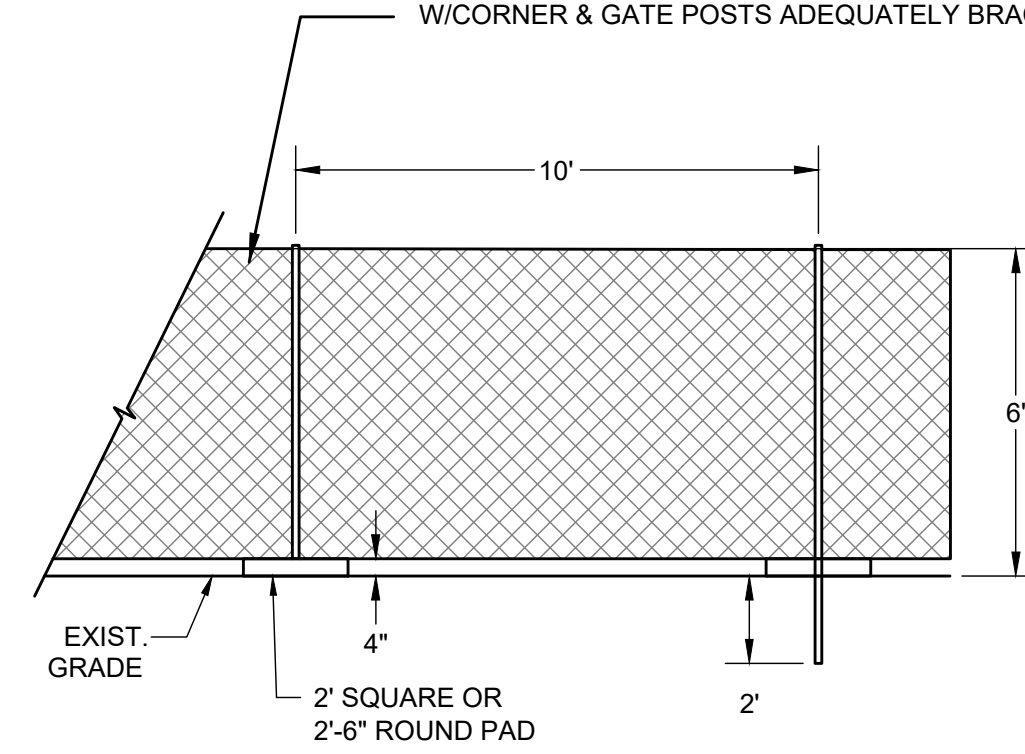
1. DRIVE POST 18" INTO GROUND AND EXCAVATE A 6"x6" TRENCH UPHILL ALONG THE LINE OF POST.
2. ATTACH WIRE FENCE TO THE POST AND EXTEND BOTTOM OF FENCE 6" INTO THE EXCAVATED TRENCH.
3. ATTACH THE SILT FABRIC TO THE WIRE FENCE AND EXTEND THE BOTTOM OF THE FABRIC 6" INTO THE TRENCH.
4. BACKFILL THE TRENCH WITH SOIL & COMPACT OR PLACE WASHED STONE TO THE HEIGHT OF 6" ABOVE GROUND LEVEL. BOTTOM OF FENCE MUST BE ANCHORED SO THAT RUNOFF IS FORCED THROUGH THE FENCE AND CAN NOT GO UNDER IT.

INSPECTION & MAINTENANCE:

1. INSPECTION OF FENCES SHALL BE FREQUENT AND REPAIR OR REPLACEMENT MADE PROMPTLY AS NEEDED.
2. ACCUMULATED SILT SHALL BE REMOVED WHEN IT REACHES A DEPTH OF 6" AND DISPOSED OF PER OWNER/ENGINEER.

1 **SILT FENCE DETAIL**  
N.T.S.

PROPOSED CHAIN LINK FENCE FABRIC IS TO BE 11 GAUGE HOT DIPPED ZINC COATED (GALVANIZED) IRON OR STEEL 6'-0" HIGH W/ 2" SQUARE DIAMOND. USE 8'-0" x 1 5/8" DIA. O.D. GALVANIZED IRON POSTS. CORNER AND GATE POSTS WILL BE 8'-0" x 2 3/4" DIA. O.D. ALL NON-MOVABLE FENCE POSTS TO BE SET IN A MIN. 2'-0" IN GROUND OR SET IN 4" THICK CONCRETE PAD 2'-0" SQUARE OR 2'-6" ROUND W/CORNER & GATE POSTS ADEQUATELY BRACED.

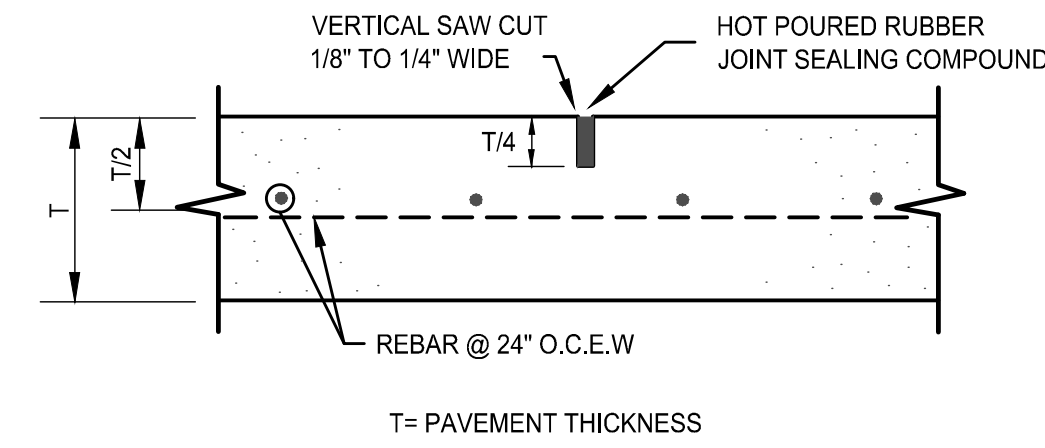


NOTES:

1. SEE EROSION CONTROL PLAN FOR CONSTRUCTION FENCE LOCATION
2. CONSTRUCTION ENTRANCE GATE TO MATCH CONSTRUCTION FENCE MATERIAL AND SPECIFICATIONS
3. CONTRACTOR TO PROVIDE A CONSTRUCTION FENCE AND GATE SUBMITTAL FOR ENGINEER'S AND OWNER'S APPROVAL

2 **TEMPORARY CONSTRUCTION FENCE**  
N.T.S.

T= PAVEMENT THICKNESS

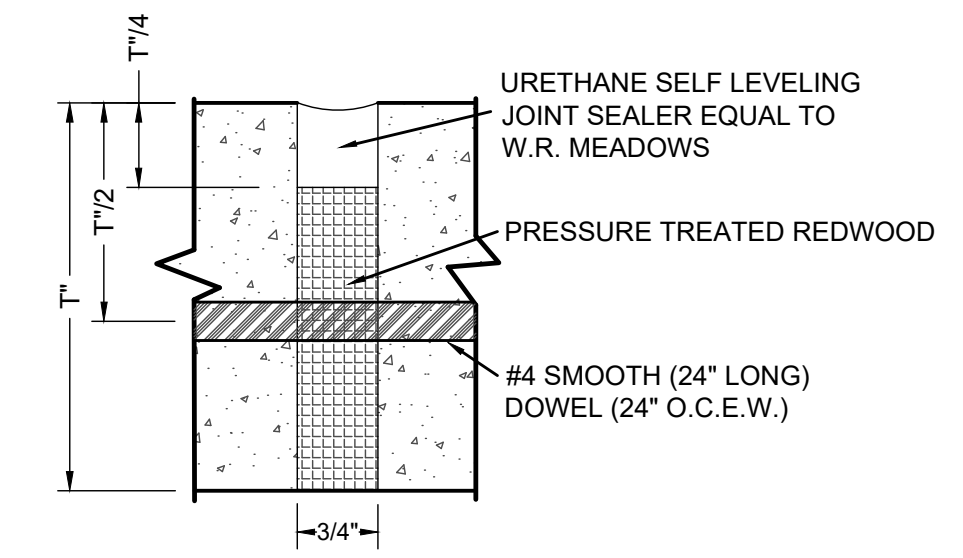


NOTES:

1. SAWCUT JOINTS WITHIN 12 HOURS AFTER PLACEMENT
2. MAXIMUM 15' SPACING
3. SPACING ON TRAILS TO MATCH WIDTH

3 **SAWED DUMMY (CONTROL) JOINT**  
N.T.S.

T= PAVEMENT THICKNESS

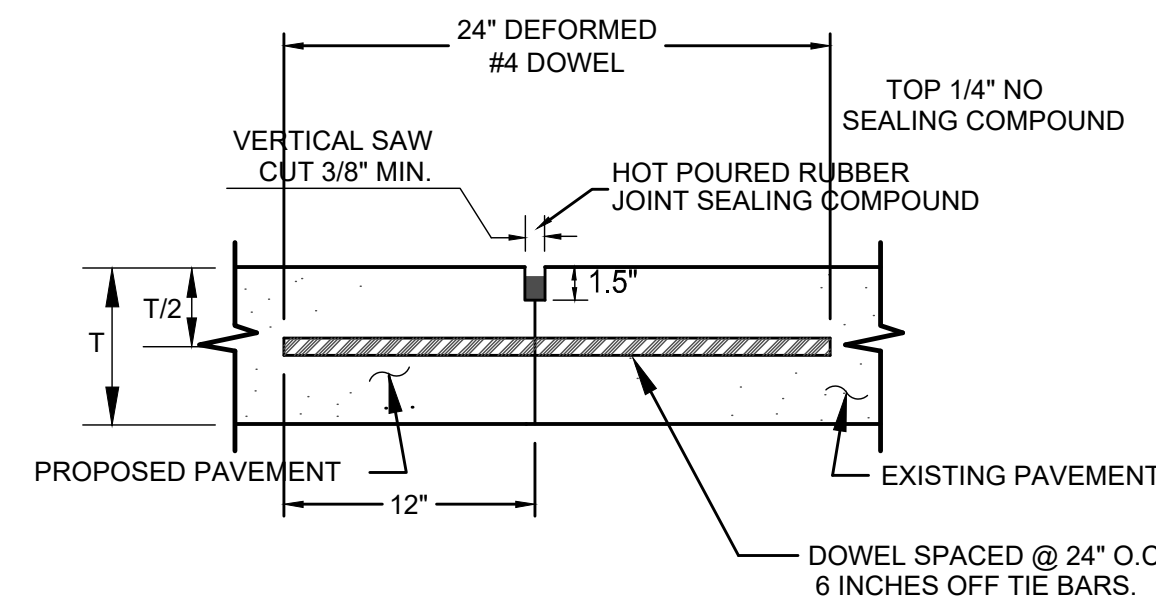


NOTE:

60' MAX. SPACING - PAVEMENT

4 **EXPANSION JOINT DETAIL**  
N.T.S.

T= PAVEMENT THICKNESS

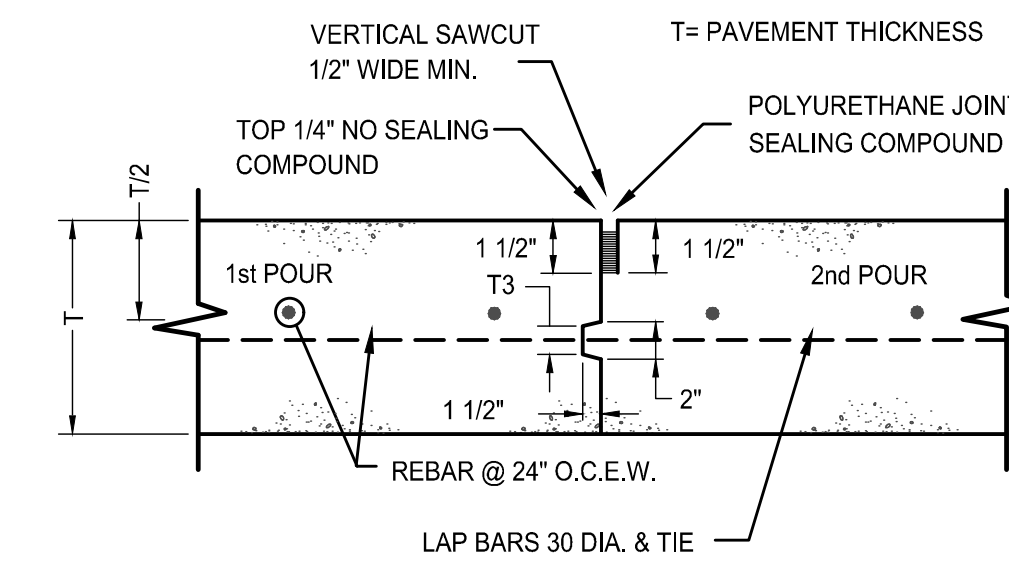


NOTE:

DOWELS AND REINFORCING BARS SHALL BE SUPPORTED BY APPROVED DEVICE

5 **LONGITUDINAL BUTT JOINT**  
N.T.S.

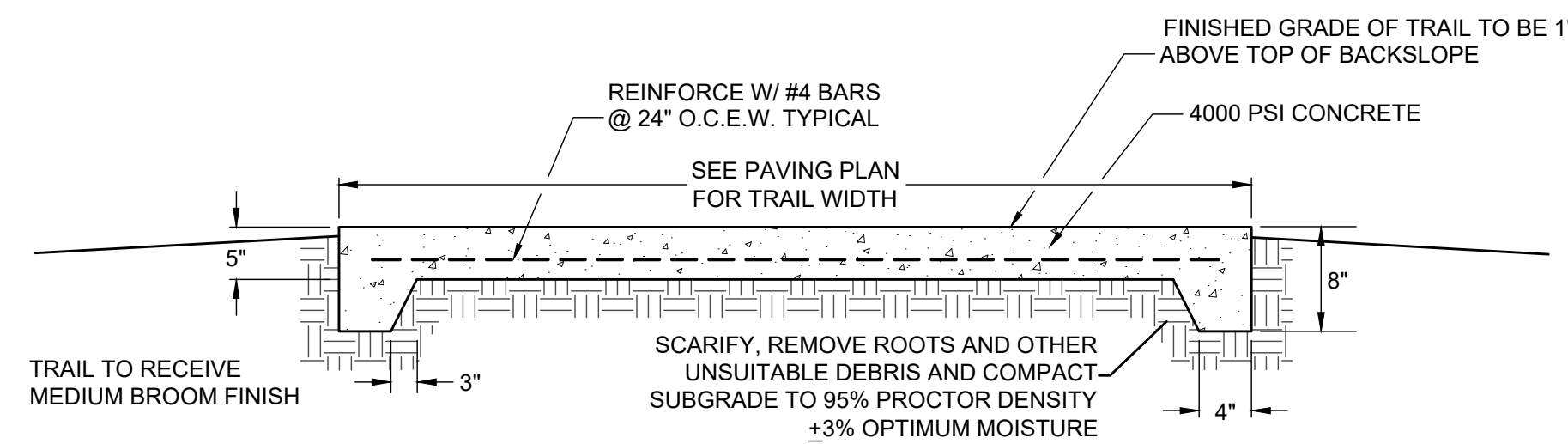
T= PAVEMENT THICKNESS



NOTE:

60' SPACING - 60' PARKING (MAX)

6 **CONSTRUCTION JOINT**  
N.T.S.

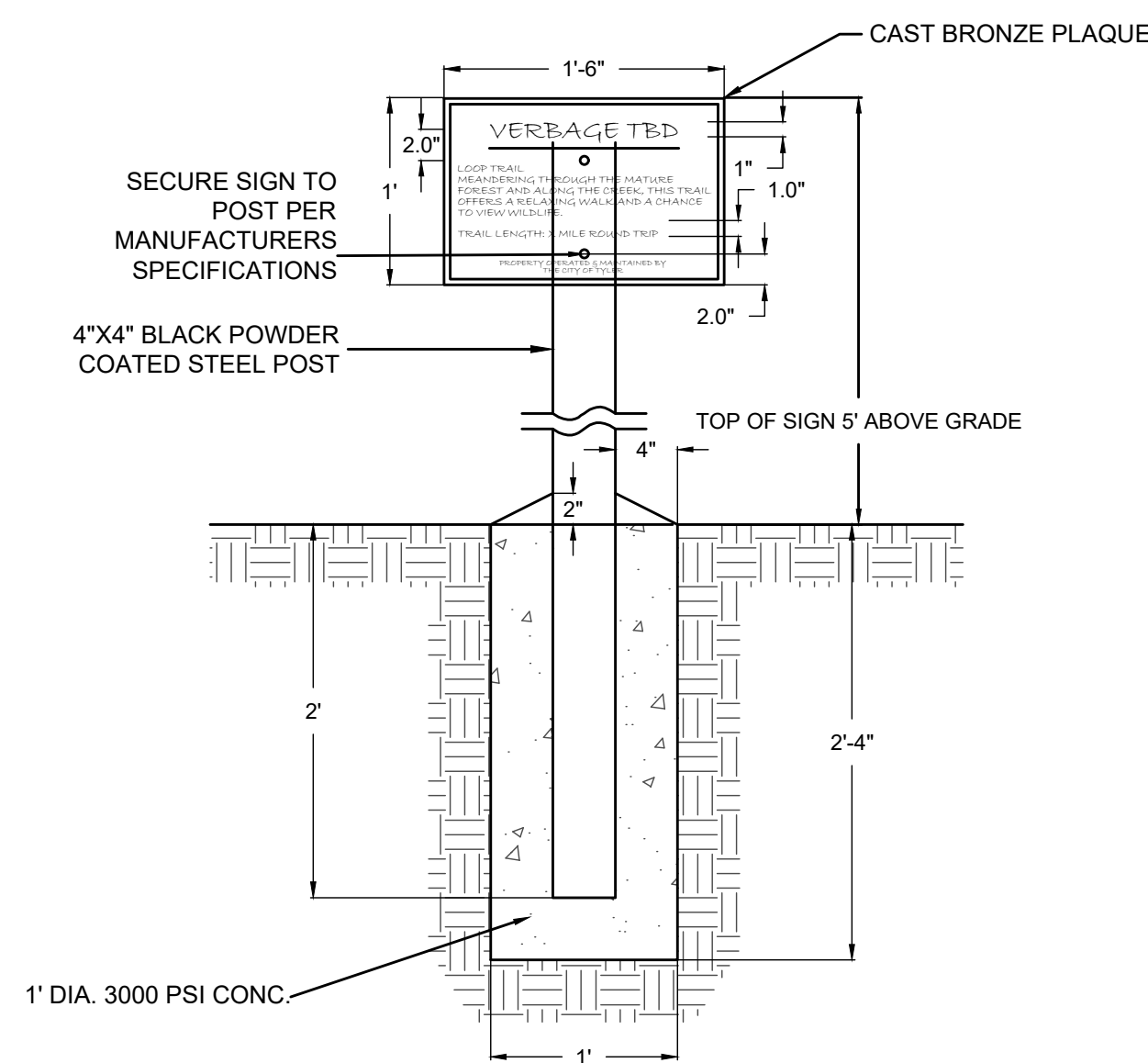


SECTION VIEW

NOTES:

1. CROSS SLOPE OF TRAIL TO BE +1% WITH TERRAIN BUT NOT TO EXCEED 2%. RUNNING SLOPE OF TRAIL TO BE LESS THAN 5% IN ALL AREAS.
2. ALTER TRAIL SECTION ELEVATION TO ALLOW CROSS DRAINAGE AS INSTRUCTED BY THE CONSULTANT.

7 **TYPICAL CONCRETE TRAIL DETAIL**  
N.T.S.



NOTE: SEE SITE PLAN FOR LOCATION. ACTUAL LOCATION OF SIGN TO BE DETERMINED ON GROUND BY CONSULTANT.

8 **MEMORIAL PLAQUE DETAIL**  
N.T.S.

Drawn: JRT  
Checked: DBS

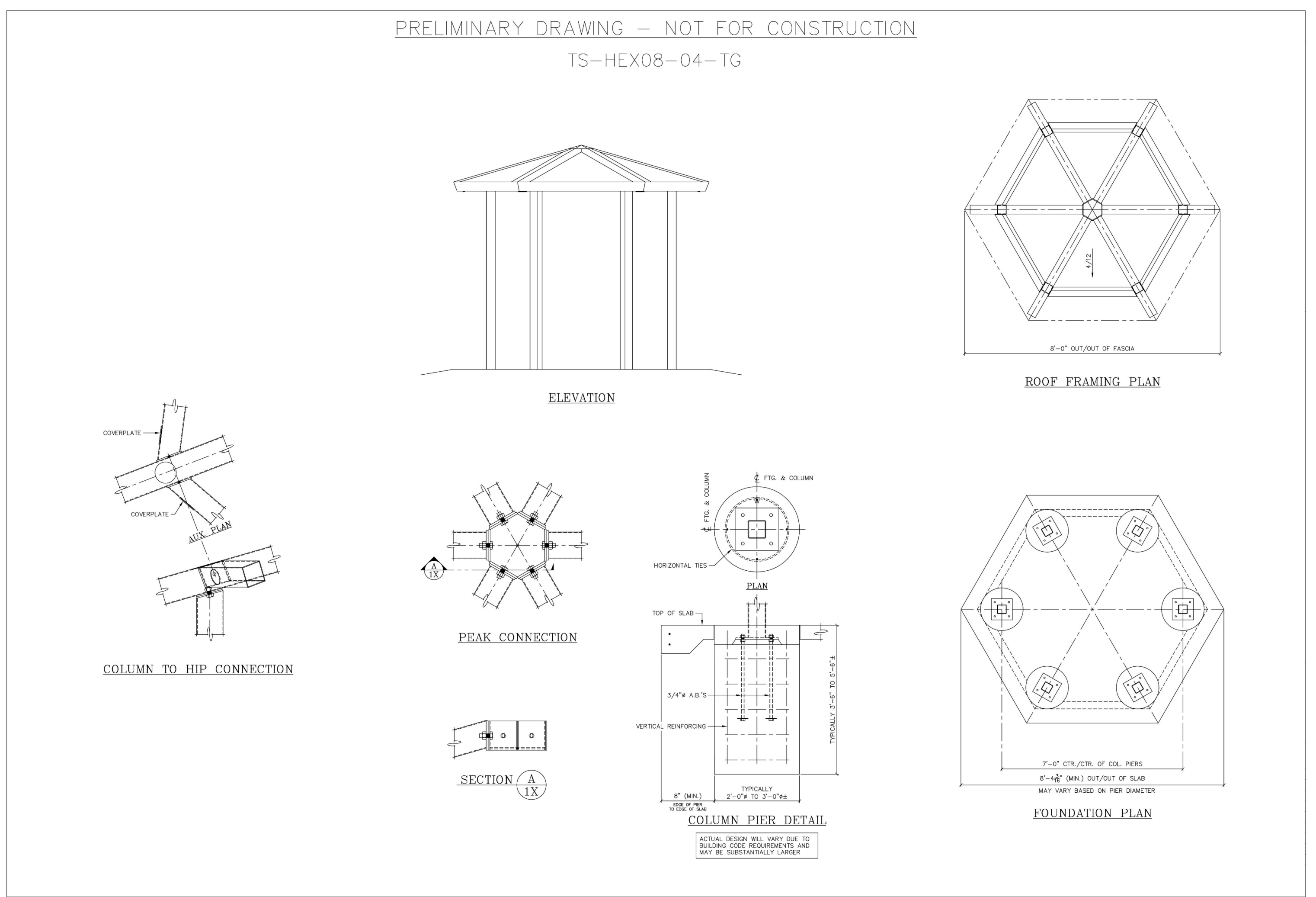
Revision History

Job Number: 23-053  
Date: 3/5/2024

CONSTRUCTION  
DETAILS I

CD-1

- NOTES:
- CONTRACTOR TO PROVIDE STRUCTURAL DRAWINGS FOR PERMITTING BY THE CITY OF TYLER.
  - ANY COLOR AND MATERIALS SELECTIONS WILL NEED TO BE SUBMITTED TO THE CONSULTANT FOR APPROVAL.



PRELIMINARY DESIGN - NOT FOR CONSTRUCTION

City of Tyler - Lella Memorial Shelter  
Tyler, TX

Project 29550 Option 1      Sheet K.6.1A      Designer MZB      Date 08.31.2023

Drawing Name KPS-29550      View Site Amenities Details      Sales Rep. Ryan Slott

IF THESE LISTS ARE TRANSMITTED ELECTRONICALLY, THE ORIGINAL IS IN THE OFFICE OF KRAFTSMAN PLAY CONSULTING & WATER PARK EQUIPMENT. THE ELECTRONIC DOCUMENT MAY BE USED BY KRAFTSMAN PLAY CONSULTING & WATER PARK EQUIPMENT AS A SOURCE OF INFORMATION ONLY. WITHOUT THE WRITTEN CONSENT OF KRAFTSMAN PLAY CONSULTING & WATER PARK EQUIPMENT, ALL INSTRUMENTS OF SERVICE, INCLUDING ORIGINAL DRAWINGS AND SPECIFICATIONS PREPARED BY KRAFTSMAN PLAY CONSULTING & WATER PARK EQUIPMENT SHALL REMAIN THE PROPERTY OF KRAFTSMAN PLAY CONSULTING & WATER PARK EQUIPMENT. NO PART OF THIS DOCUMENT SHALL BE REPRODUCED OR TRANSMITTED IN ANY FORM OR BY ANY MEANS, ELECTRONIC OR MECHANICAL, INCLUDING PHOTOCOPYING, RECORDING, OR BY ANY INFORMATION STORAGE AND RETRIEVAL SYSTEM, WITHOUT THE WRITTEN CONSENT OF KRAFTSMAN PLAY CONSULTING & WATER PARK EQUIPMENT. THIS DOCUMENT IS THE PROPERTY OF KRAFTSMAN PLAY CONSULTING & WATER PARK EQUIPMENT AND SHALL NOT BE USED FOR ANY OTHER PROJECT WITHOUT THE WRITTEN CONSENT OF KRAFTSMAN PLAY CONSULTING & WATER PARK EQUIPMENT.

Drawn: JRT  
Checked: DBS

Revision History

NO.	DESCRIPTION	DATE

Job Number: 23-053  
Date: 3/5/2024